



MATERIAL TRANSFER SYSTEM BY VACUUM (MTS-V) Application and Media can be Transferred



**MICRO-CONTROLLER
BASED CONTROL SYSTEM
FOR PRECISE AND SAFE
TRANSFER OF MATERIAL.**

Media that can be transferred

PVC Resin

Additives for PVC Resin

Plastic Granules

Husk

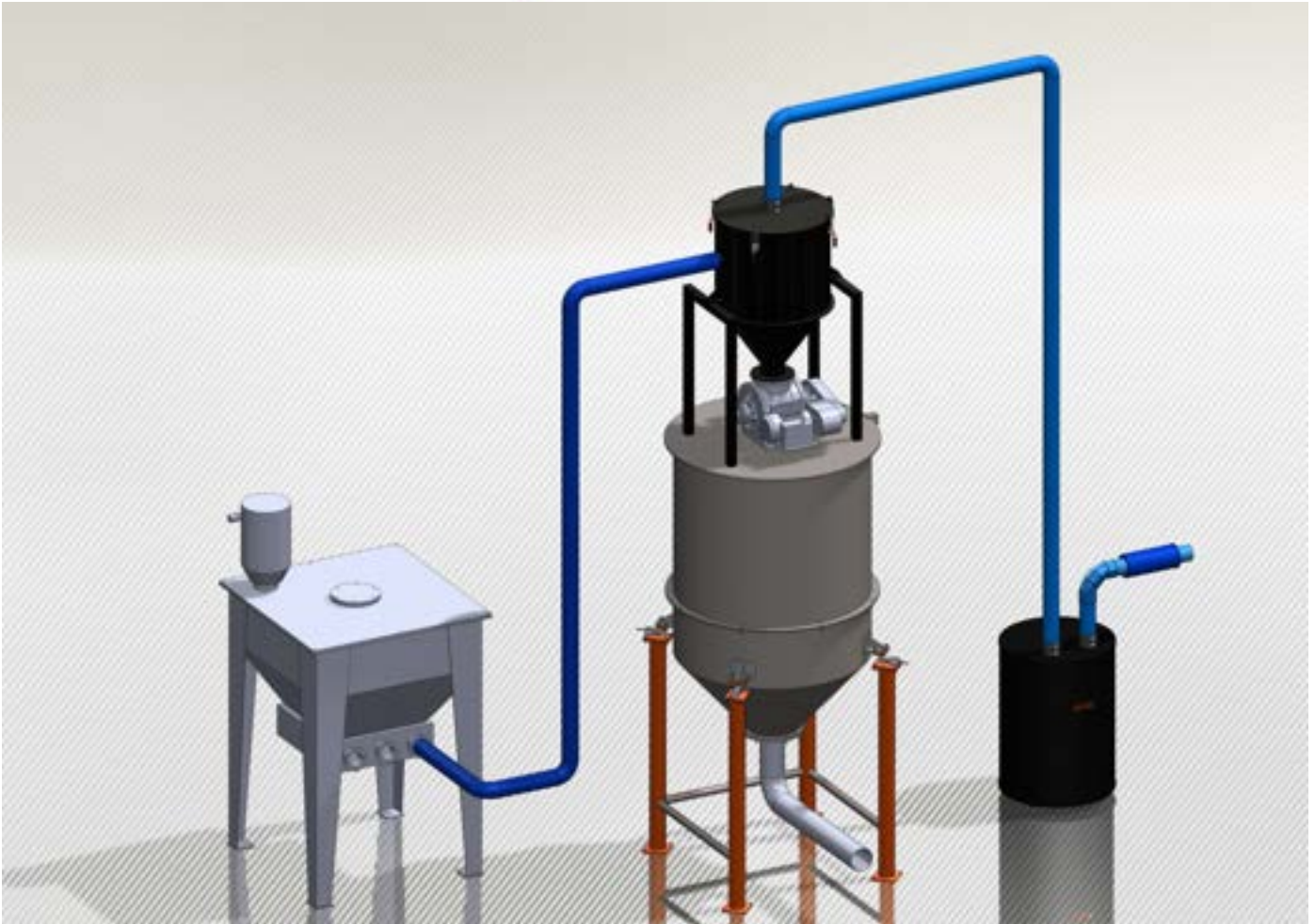
Saw Dust

Ash

Carbon Powder

Etc





**Media that can be transferred—
Food & Pharma Industry**

Soya Flour

Starch

Dextrose

Cereals like Dhall

Rice

Corn Seed / Flour

Sesame Seed

Dry Chilly / Chilly Powder

Etc

**Media that can be transferred—
Textile Industry**

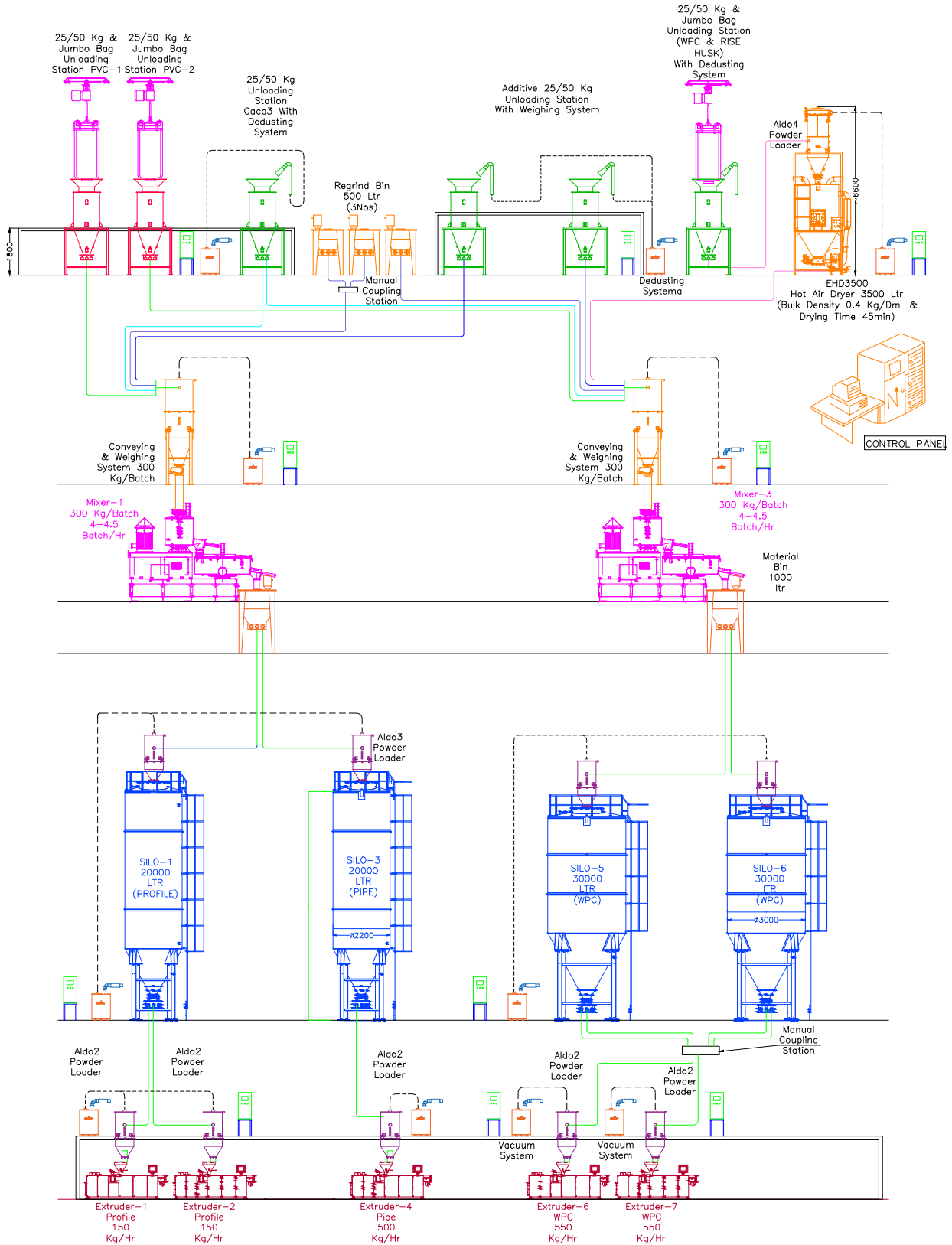
Salt used for Fabric Dying

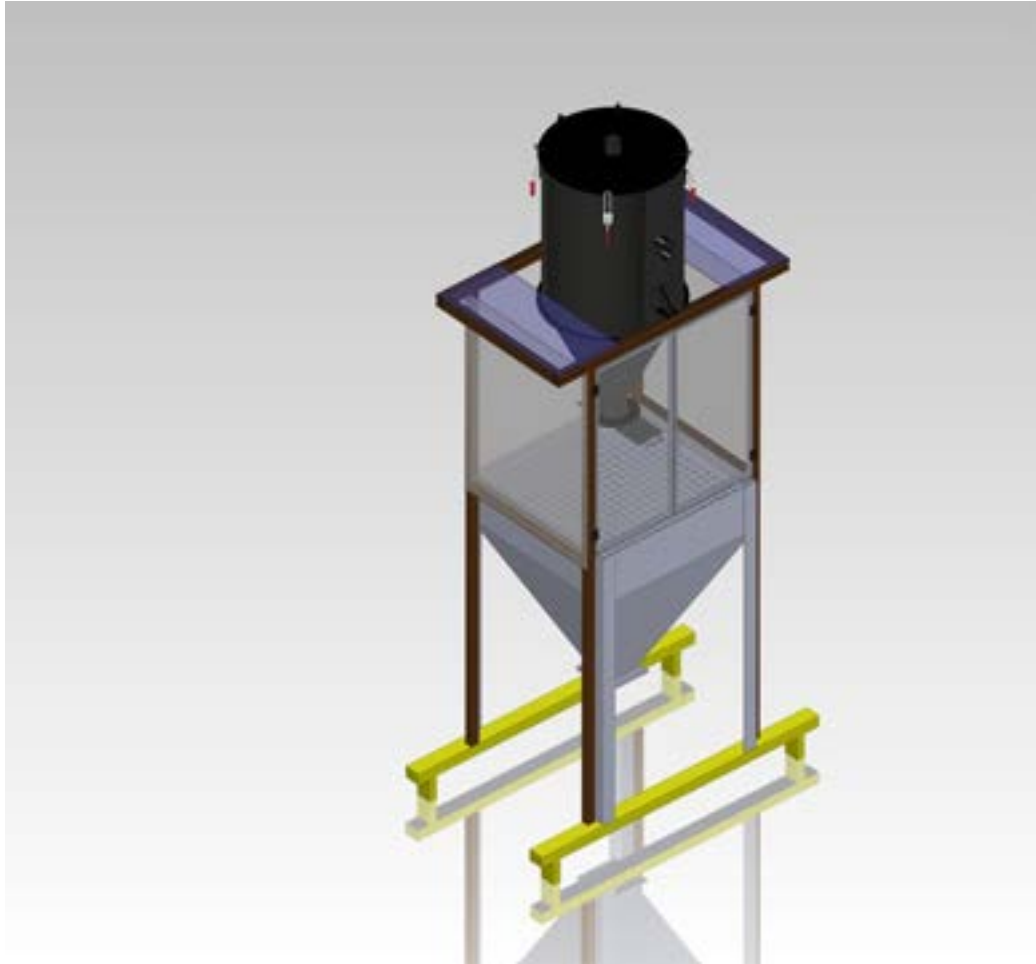
Soda Used for Fabric Dying

Etc



Centralized Material Transfer System





CONTACT

Registered Office & Works:

SARYAM ENGINEERING PRIVATE LIMITED

Industrial Plot No. 11, Area III, Nagavalli Amman Koil Street,
Maraimalai Nagar, Tamilnadu 603209. India. Phone : + 91 27453333 / 29588057

Sales & City Office : Bldg Name : Akshaya HQ, 1st Floor, 209/1B, Rajiv Gandhi IT Express Way (OMR),
Kazhipattur, Chennai 603103. Tamilnadu, India

Branch Office: Flat # 403, GLR Neela, #34, 16th A Cross,
Neeladri Nagar, Electronic City, Phase I,
Bangalore 560 100. Karnataka. India

For Sales Contact : 98400 49940 / 72000 01196 / 99404 99256

Email : sales@saryam.com

 www.facebook.com/saryamtech/  www.instagram.com/saryamtech